

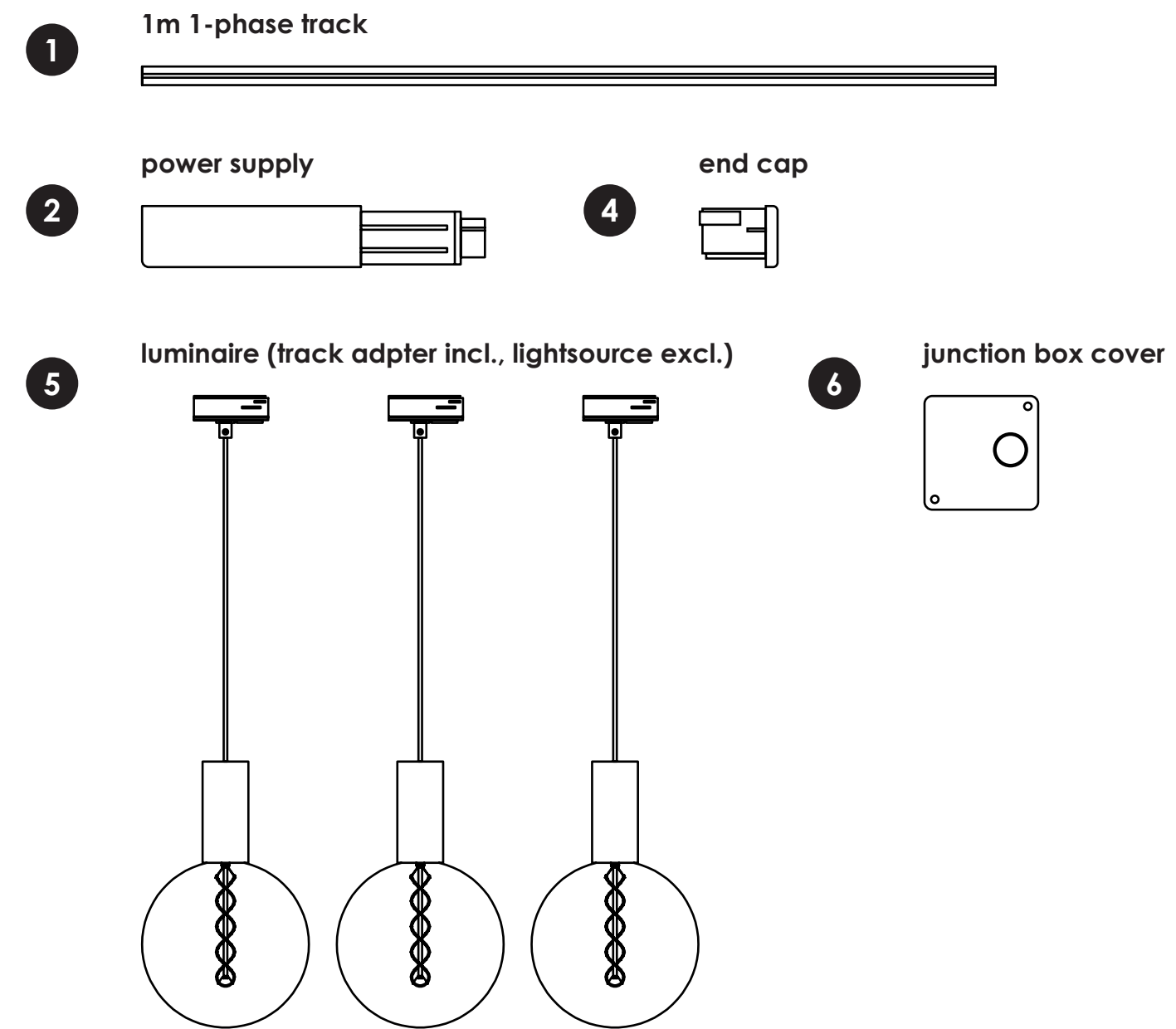
collection
1-phase track system



ideal lighting solution for different applications

Put your own system together step by step and add more individuality to your lighting! Find the perfect lighting solution for every room - even if they feature dark corners, angled rooms or sloping areas. Rooms can be illuminated effectively and individually with just one power supply. The flexible system offers numerous elements that are suitable for accentuated or area lighting. The track light system is extremely flexible and offers numerous possibilities for individual lighting arrangements. The various spotlights and pendant lamps can be positioned as desired on the track and can therefore be used in all living areas.

one set functions as a system



extending a system with connectors

* Connector requires additional purchase





TLP7314-03WT white
 3 x E27, bulb excl. ↔ 100 cm ↓ 133 cm



TLP7314-03BK black
 3 x E27, bulb excl. ↔ 100 cm ↓ 133 cm

optional



cable adjuster white
 ↔ 1.7 cm ↓ 3.4 cm



TLP7314-01WT white
 E27, bulb excl. ↔ 18 cm ↓ 115 cm



cable adjuster black
 ↔ 1.7 cm ↓ 3.4 cm



TLP7314-01BK black
 E27, bulb excl. ↔ 18 cm ↓ 115 cm



TLP7315-03WT white
 3 x E27, bulb excl. ↔ 100 cm ↓ 133 cm



cable adjuster white
 ↔ 1.7 cm ↓ 3.4 cm



diffuser open white
 ∅ 30 cm ↓ 0.5 cm



TLP7315-01WT white
 E27, bulb excl. ↔ 30 cm ↓ 135 cm



TLP7315-03BK black
 3 x E27, bulb excl. ↔ 100 cm ↓ 133 cm



cable adjuster black
 ↔ 1.7 cm ↓ 3.4 cm



diffuser closed white
 ∅ 30 cm ↓ 0.5 cm



TLP7315-01BK black
 E27, bulb excl. ↔ 30 cm ↓ 135 cm

optional



TLS7312-03SB white
 3 x E27, bulb excl. ↔ 100 cm ↓ 23 cm



TLS7312-03BK black
 3 x E27, bulb excl. ↔ 100 cm ↓ 23 cm

optional



TLS7312-01SW white
 E27, bulb excl. ↔ 12.5 cm ↓ 7.5 cm



TLS7312-01BK black
 E27, bulb excl. ↔ 12.5 cm ↓ 7.5 cm



TLS7313-03SW white
 3 x E27, bulb excl. ↔ 100 cm ↓ 24 cm



TLS7313-03BK black
 3 x E27, bulb excl. ↔ 100 cm ↓ 24 cm

optional



TLS7313-01SW white
 E27, bulb excl. ↔ 20.5 cm ↓ 15.5 cm



TLS7313-01SB black
 E27, bulb excl. ↔ 20.5 cm ↓ 15.5 cm



TLS7312-03SW white
 3 x GU10, bulb excl. ↔ 100 cm ↓ 23 cm



TLS7312-03BK black
 3 x GU10, bulb excl. ↔ 100 cm ↓ 23 cm

optional



TLS7310-01SW white
 GU10, bulb excl. ↔ 14 cm ↓ 9 cm



TLS7310-01SB black
 GU10, bulb excl. ↔ 14 cm ↓ 9 cm



TLS7310-03SW white
 3 x E14, bulb excl. ↔ 100 cm ↓ 23 cm



TLS7310-03BK black
 3 x E14, bulb excl. ↔ 100 cm ↓ 23 cm

optional



TLS7311-01SW white
 E14, bulb excl. ↔ 15 cm ↓ 18 cm



TLS7311-01SB black
 E14, bulb excl. ↔ 15 cm ↓ 18 cm



optional



TLS7351-07SW white
junction box cover ↔ 7 cm ↓ 0.2 cm



TLS7351-07BK black
junction box cover ↔ 7 cm ↓ 0.2 cm



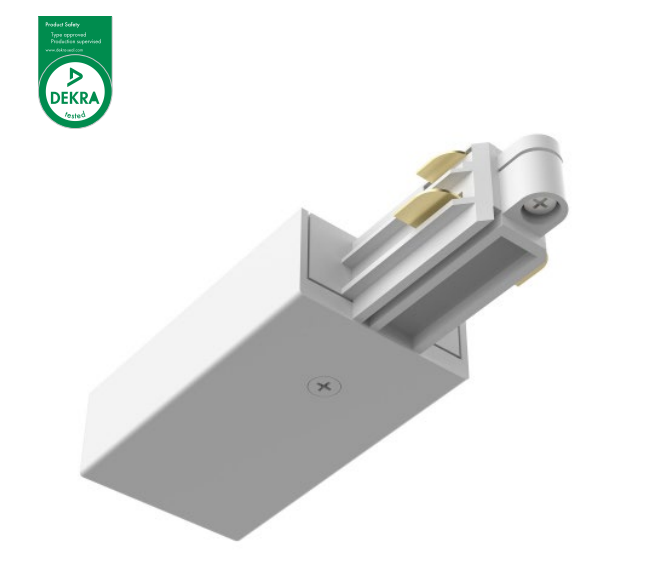
TLS7351-37
hanging fitting ↓ 200 cm



extension parts



TLS7351-17SW white
2-phase track ↔ 100 cm ↓ 1.8 cm



TLS7351-50SW white
power connector ↔ 10.5 cm ↓ 2 cm



TLS7351-57SW white
adaptor ↔ 8 cm ↓ 3 cm



TLS7351-55SW white
end cap ↔ 2.3 cm ↓ 2 cm



TLS7351-17SB black
2-phase track ↔ 100 cm ↓ 1.8 cm



TLS7351-50SB black
power connector ↔ 10.5 cm ↓ 2 cm



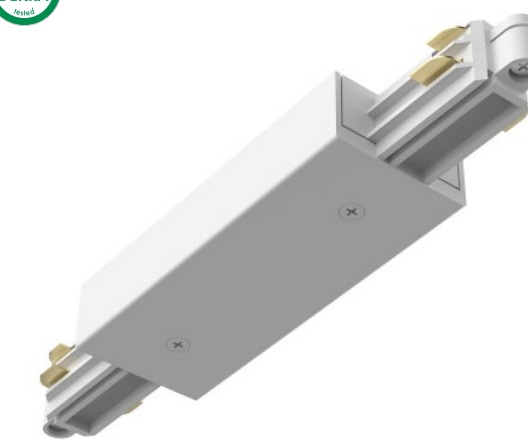
TLS7351-57SB black
adaptor ↔ 8 cm ↓ 3 cm



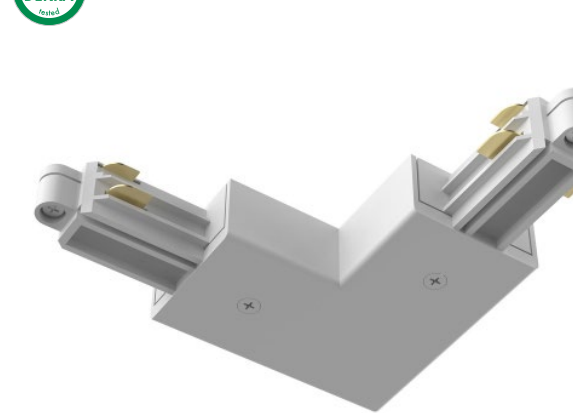
TLS7351-55SB black
end cap ↔ 2.3 cm ↓ 2 cm



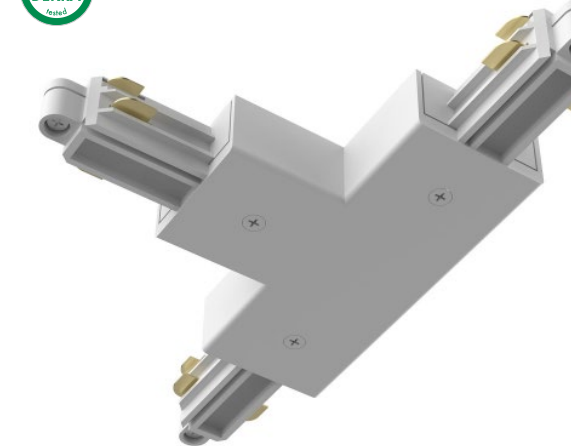
extension parts



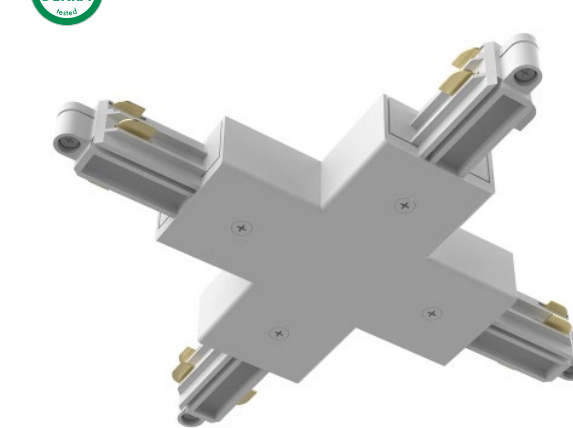
TLS7351-51ASW white
I-shape connector ∅ 7 cm † 2 cm



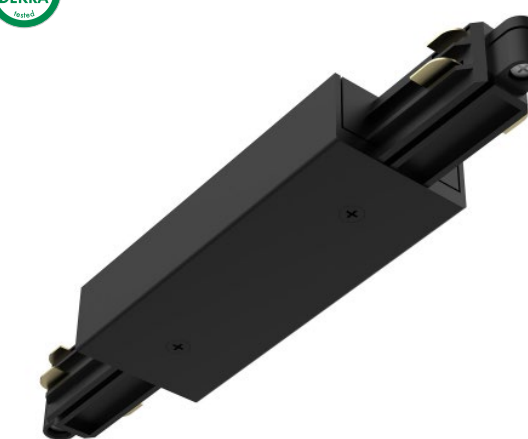
TLS7351-53SW white
L-shape connector ∅ 10 cm † 2 cm



TLS7351-52SW white
T-shape connector ∅ 7.5 cm † 2 cm



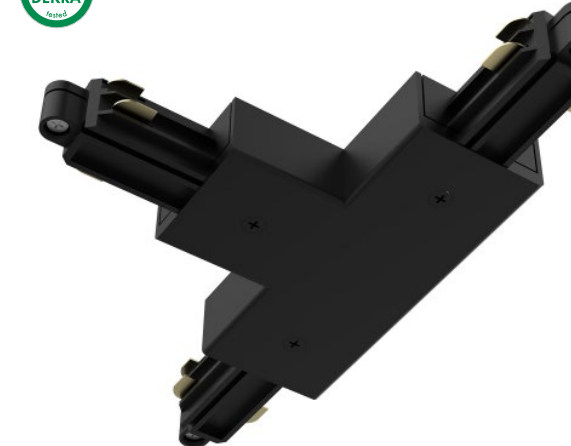
TLS7351-54SW white
X-shape connector ∅ 7.5 cm † 2 cm



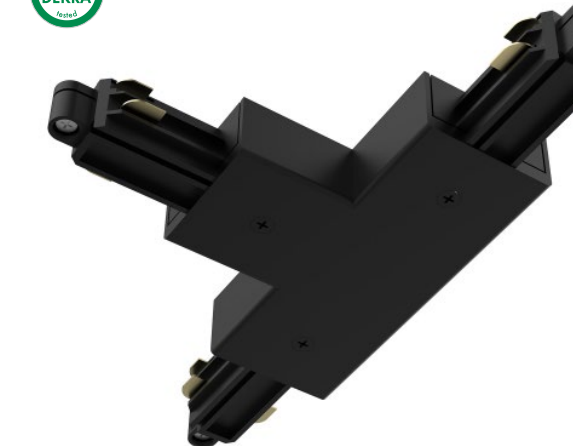
TLS7351-51ABK black
I-shape connector ∅ 7 cm † 2 cm



TLS7351-53BK black
L-shape connector ∅ 10 cm † 2 cm



TLS7351-52BK black
T-shape connector ∅ 7.5 cm † 2 cm



TLS7351-54BK black
X-shape connector ∅ 7.5 cm † 2 cm



HongKong Head Office 香港總公司

10F Mass Mutual Tower,
33 Lockhart Road, Hong Kong
香港灣仔洛克道 33 號萬通大廈 10 樓

China Office 中國辦事處

No. 23, Room 1101, Building 1, No. 111 Nancheng section
Guantai Road, Nancheng District, Dongguan City,
Guangdong Province, P.R. China
廣東省東莞市南城街道莞太路南城段 111 號 1 棟 1101 室 23

Showroom 展廳

Foxin Industrial Park, Dalang Town,
Dongguan City,
Guangdong Province, P.R.China
廣東省東莞市大朗佛新工業區

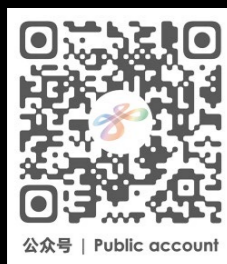
Office: +86-769-2236 2601

Mobile phone: +86 138 2637 3540

E-mail: ilovetangla@tangla-lighting.com

www.tangla-lighting.com

Our Wechat:



公众号 | Public account



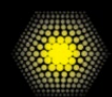
服务号 | Service account



All rights reserved. Copyright © Tangla Lighting LTD on all texts, layout, images and pictures.

No text, layout, images or pictures can be used or reproduced for commercial purposes by third parties, including distributors,retailers, online shops and others, without the prior written consent of Tangla Lighting LTD. The use of text, layout, images and pictures, or the reproduction of such publications in press -both written and digital- is only permitted when Tangla Lighting LTD is listed as the official right holder and owner of the concept.

All our offers and agreements are subject to our conditions of sale. Upon request you will receive a copy of these terms and conditions. Photographs and images may differ slightly in colour and tone.No rights can be derived from images displayed on screen or printed matter.



ENABLED

All our LED bulbs and LED fixtures use LED technology based on Philips patents. We have entered a license agreement with Philips to be able to freely use these LED patents. Therefore, we offer you the option to buy our LED bulbs and LED fixtures under one of our Tangla sub brands. Should you decide to buy our LED products under your own private label than we cannot be hold responsible for patent risks related to the LED technology used in our LED products.